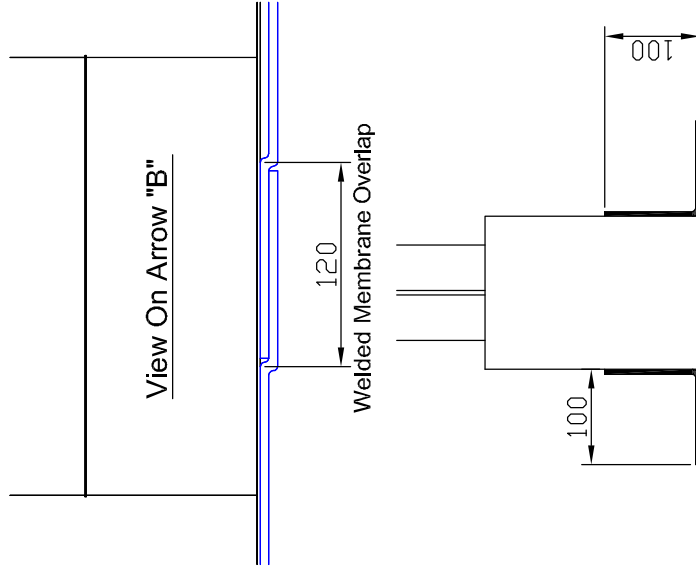
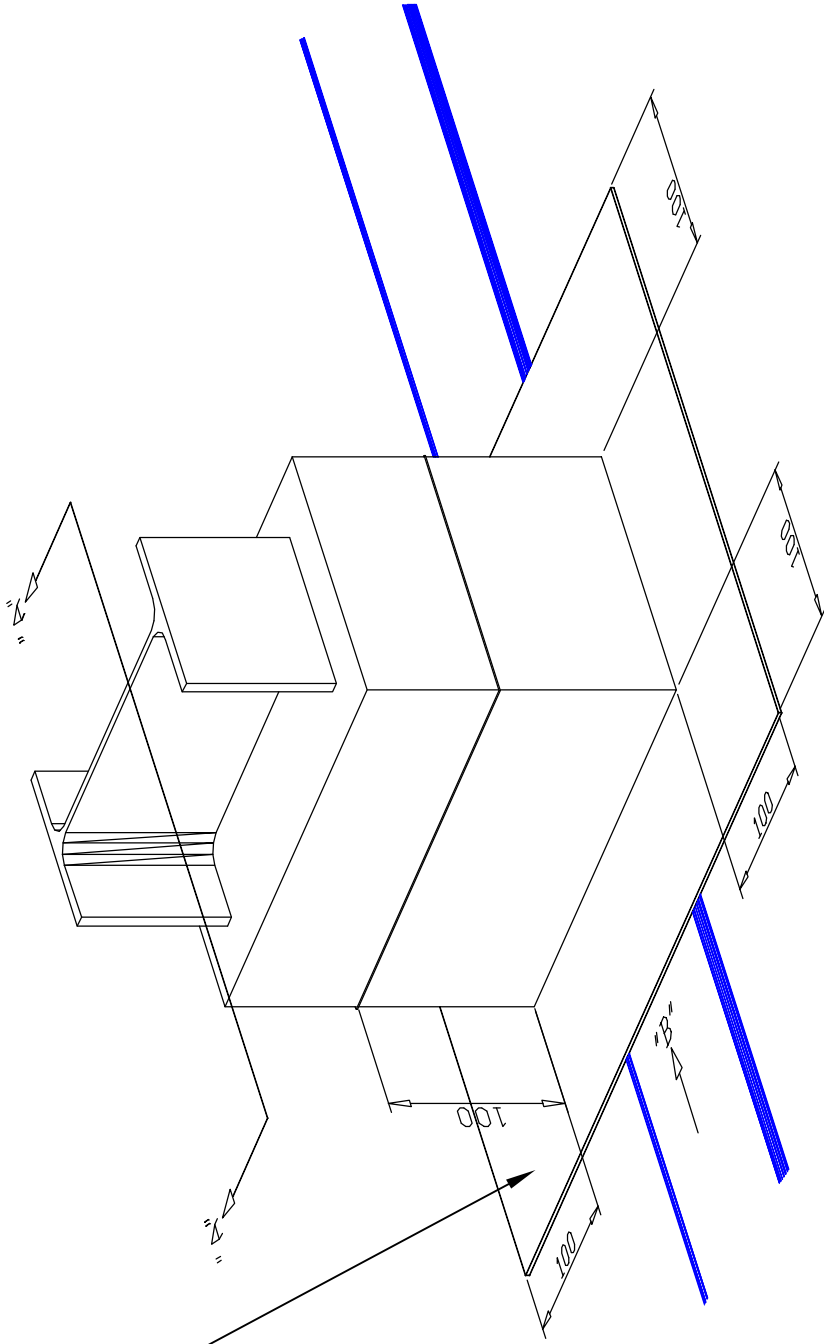


200mm wide Landflex ZRX Single Side Adhesive Gas Membrane 100mm onto Gas Membrane & 100mm onto Primed Stanchion Encasement



View On Arrow "B"

Section "A-A"

Notes:-

1. The membrane joints are to be sealed and tested using Landline wide wedge system.
 2. All concrete surfaces to be primed prior to ZRX application
- All dimensions in millimeters unless stated otherwise



1 Bluebridge Ind. Est, Halstead, Essex CO9 2EX
 Tel: (01787) 476699 Fax: (01787) 472507
 e-mail: sale@landline.co.uk www.landline.co.uk

Typical Detail of Concrete Encased Stanchion Sealing

Drawn	Checked	Approved	Date	Scale
S. Blackwell	S. Quill	B. Ackroyd	3rd June 08	NTS
Drawing No.				Revision
SSD 04				----
				297x210mm A4